

APPLICATIONS FOR AQUABAR® "B" TILE & FLOORING UNDERLAYMENT

THE DETAILS SHOWN HERE REFER TO GENERALLY ACCEPTED TILE INSTALLATION PRACTICES
Aquabar "B" is suitable for use in interior tile and stone applications as a moisture retardant membrane, or cleavage membrane on walls, countertops, or residential showers. **Aquabar "B" is not a vapor barrier or waterproof membrane** and should not be used in waterproofing assemblies or where a waterproof membrane is specified. Meets ANSI A108.02 Sec. 3.8.7 material standards for tile.

TILE & STONE INSTALLATIONS

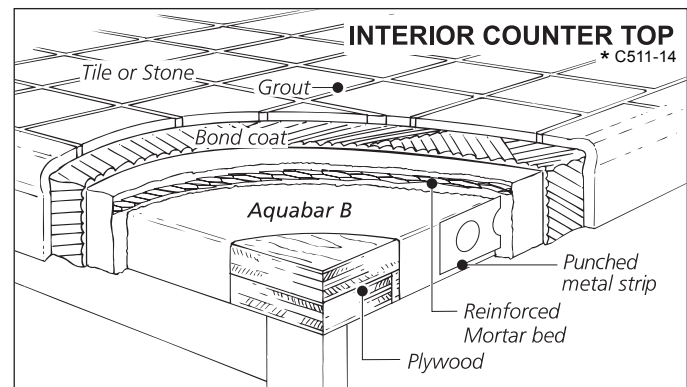
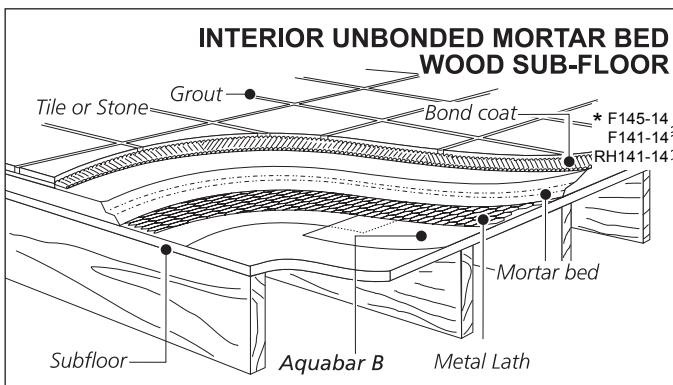
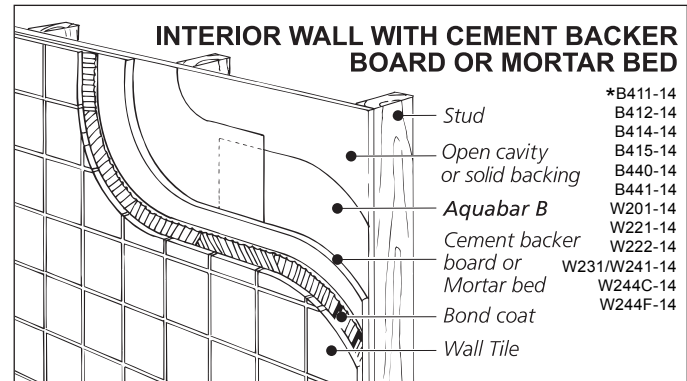
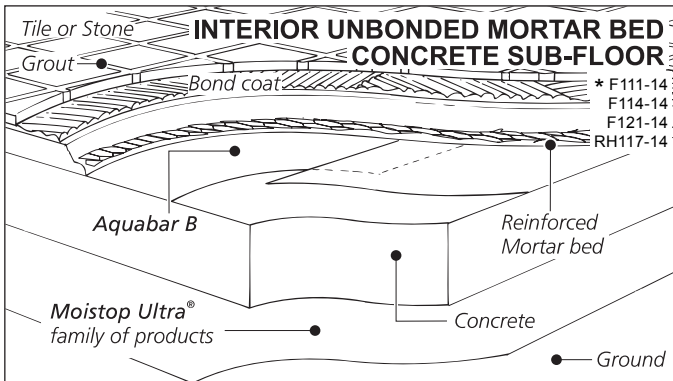
The following illustrations are examples of typical tile and stone installations using **Aquabar "B"**. The following illustrations are designed to show the positioning of **Aquabar "B"** within the assembly and do not attempt to give step-by-step installation details for the assembly. To obtain detailed installation instructions, please refer to the Handbook for Ceramic Tile Installation, "The Industry's Guide for Installation Practices", or ANSI Standards. Contact The Tile Council of North America, Inc., on-line at www.tileusa.com or call (864) 646-8453.

All tile applications should be installed in accordance with appropriate ANSI A108, A118 and A136 standards for installation of ceramic tile, the architect/specifier instructions, tile and setting manufacturer's recommendations and all local building codes. When installing behind a cementitious backer unit follow the CBU manufacturer's instructions for a moisture retarder membrane or cleavage membrane. In applications where a duplex type reinforced asphalt

paper meeting ASTM C-171 is specified, use Fortifiber's **Orange Label Sisalkraft®** paper.

For best results when installing, use a properly trained installer such as a CTEF Certified Installer, NTCA contractor or TCAA contractor.

INSTALLATION – Cut **Aquabar "B"** to length and position over substrate as needed for proper coverage. It may be applied to wall framing either horizontally (best method) or vertically. Overlap seams a minimum of 4 inches or more as required by CBU manufacturer or architect/specifier and local building codes. Be sure to overlap tub, shower lip or shower pan membrane and seal gap between the tile installation and tub/shower unit with a high quality elastomeric caulking after tile work and grout are dry.



LIMITATIONS: **Aquabar "B"** hardwood floor and tile underlayment is not a vapor barrier or a waterproof membrane and should not be used in waterproofing assemblies where a moisture or vapor barrier is specified. Do not leave exposed to direct moisture contact or use in areas that are soaked or saturated for extended periods of time, such as gang showers, saunas, steam rooms, pools, hot tubs and exterior areas. In applications where duplex type reinforced asphalt paper, meeting ASTM C-171, is specified use Fortifiber's **Orange Label Sisalkraft**.

Aquabar "B" has no offensive odor, however it does contain asphalt. Individual sensitivity to chemicals varies and should be considered prior to purchase of any product.

Aquabar "B" may be used following manufacturer's recommendations with radiant heat as long as the substrate temperature is limited to a maximum of 85°F.

Aquabar "B" is not recommended for use on exterior wall assemblies. Properly prepared walls, sub-floors or jobsite conditions and proper installation of flooring and tile are the responsibility of the installer.

International Building Code® and International Residential Code® are trademarks of the International Code Council.

*See current **TCNA Handbook for Ceramic, Glass, and Stone Tile Installation** for complete details.



Call 1-800-773-4777 Nationwide for
Technical Assistance or visit our website
at www.fortifiber.com



**Fortifiber Building
Systems Group®**

Protecting Your World from the Elements®